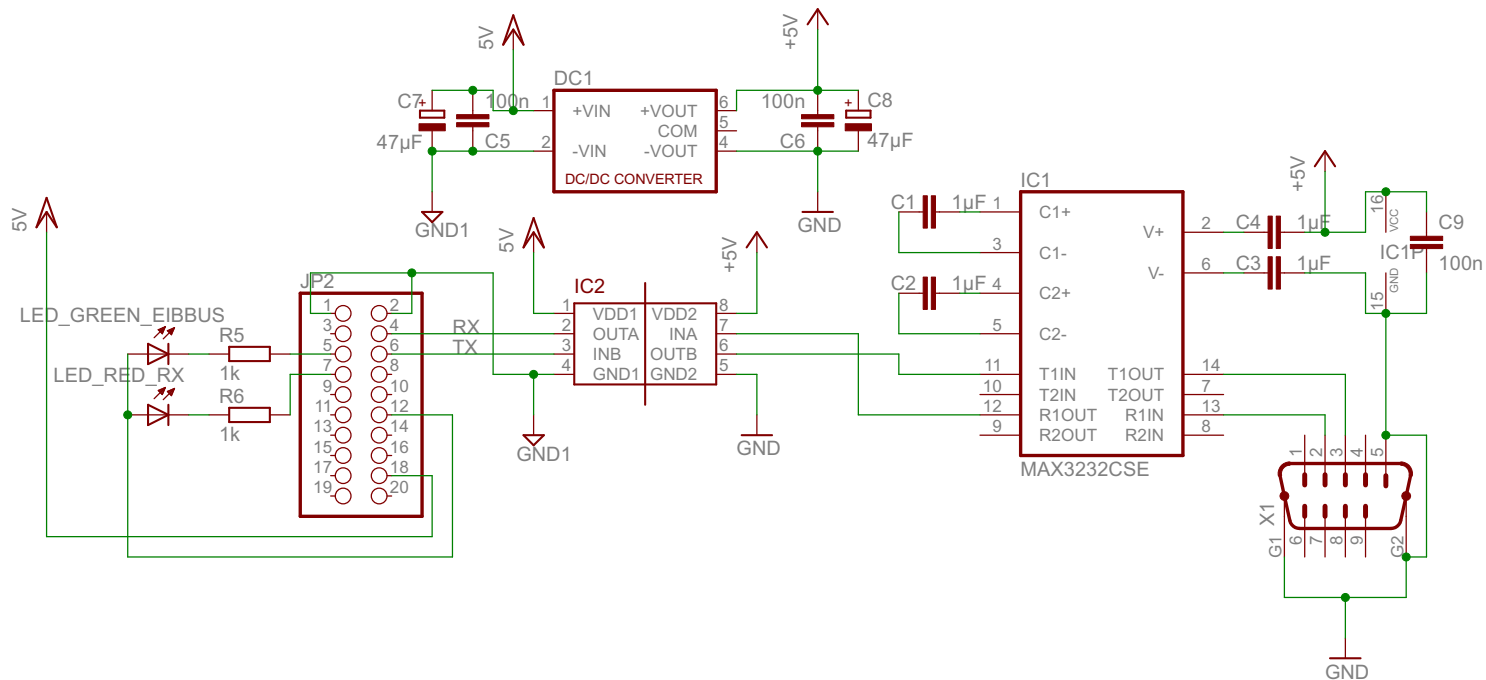


Potentialtrennung



TS-DIL RS232 Isolated Output
Andreas Kraml / PC-SERVICE.at

TITLE: KNX_RS232_TS-DIL_Isolated_V1

Document Number:

REV:
1B

Date: 03.10.2014 02:19:54

Sheet: 1/1