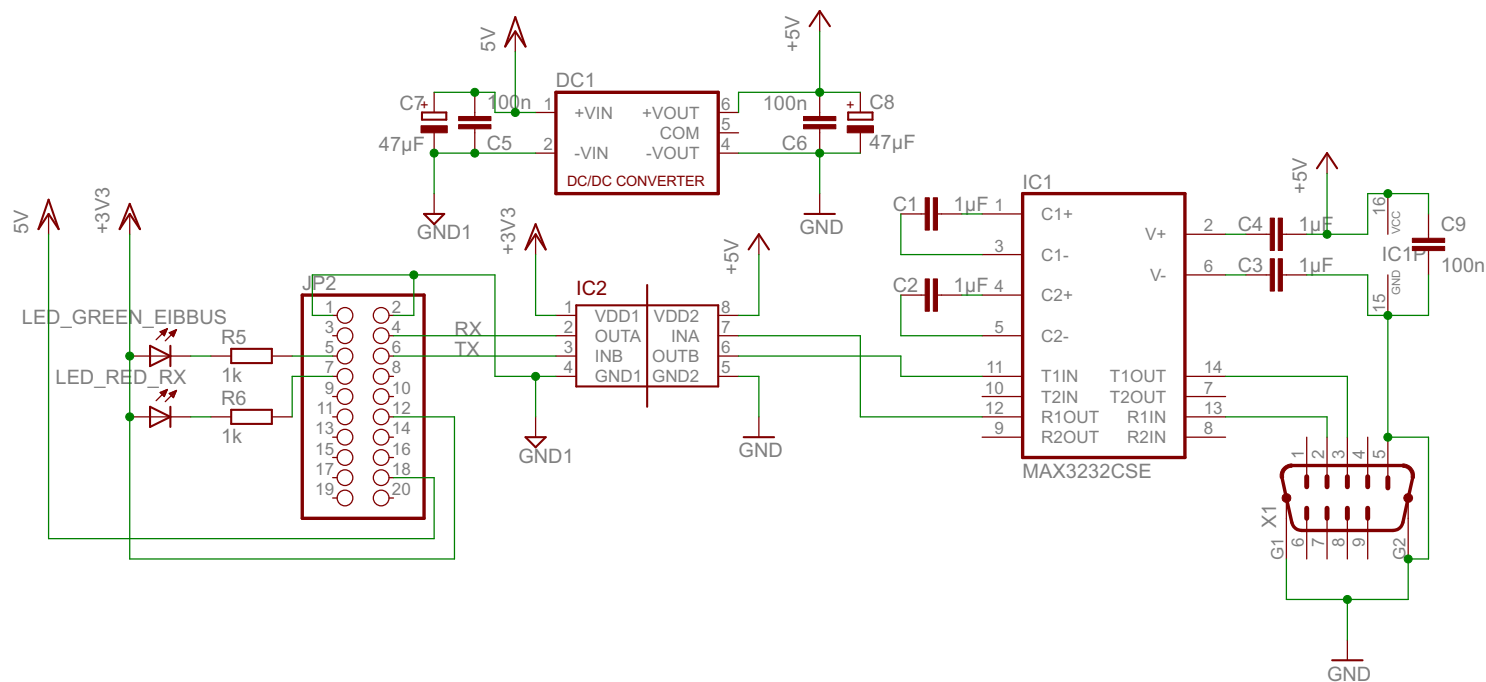


Potentialtrennung



TS-DIL RS232 Isolated Output
Andreas Kraml / PC-SERVICE.at

TITLE: KNX_RS232_TS-DIL_Isolated_V1C

Document Number:

REV:
1C

Date: 04.10.2014 05:15:48

Sheet: 1/1